

**PART NUMBER:** CMS0341KLX

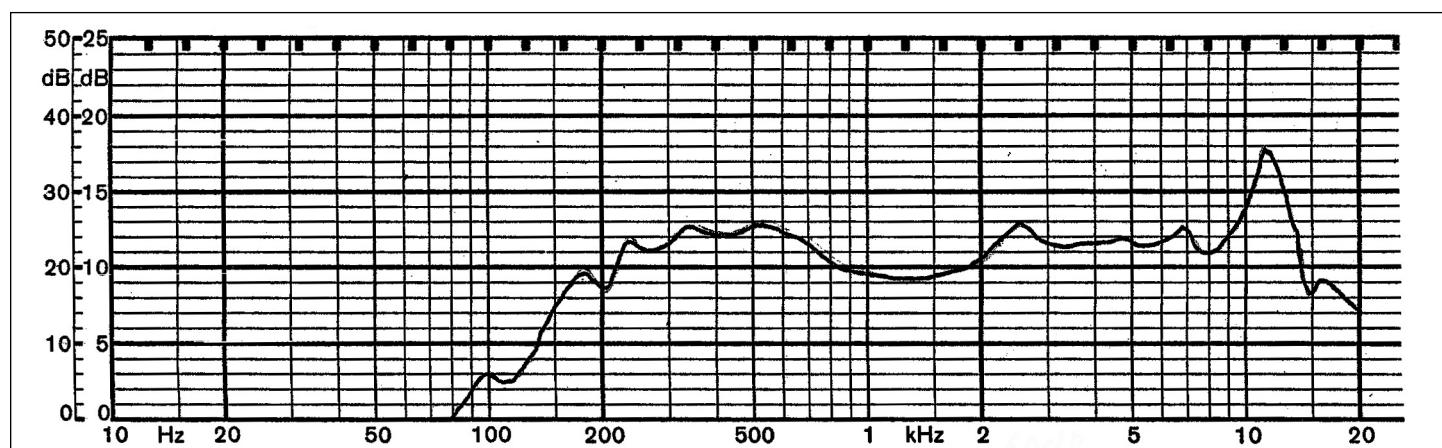
**DESCRIPTION:** speaker

**SPECIFICATIONS**

nominal size	34 x 34 x 14.5 mm		
impedance	8 Ohm $\pm$ 15%	at	1 kHz 1 V
resonant frequency	260 Hz $\pm$ 52 Hz at	1 V	
sound pressure level	84 dB/W $\pm$ 3 dB	1 W 50 cm ave. at 0.4 k, 0.5 k, 0.6 k, 0.8 kHz	
response	Fo Hz ~ 20 kHz max 10 dB		
input power	nominal 2 W	handling capacity	4 W
operation	must be normal at program source 2 W		
buzz, rattle, etc.	must be normal at sine wave 4 V		
magnet	size: 18.7 x 4.0 mm		
load test	white noise 2 W	for	24 hours
heat test	65 $\pm$ 2° C	20-50% R.H.	24 hours
humidity test	40 $\pm$ 2° C	90-95% R.H.	24 hours

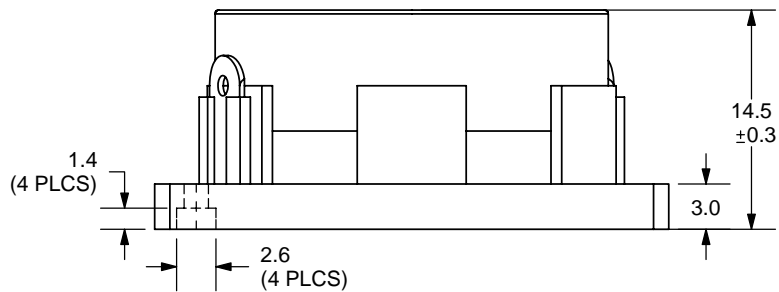
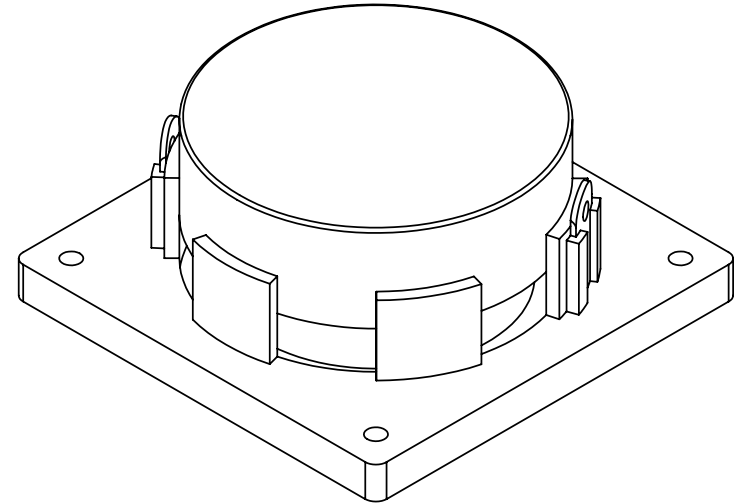
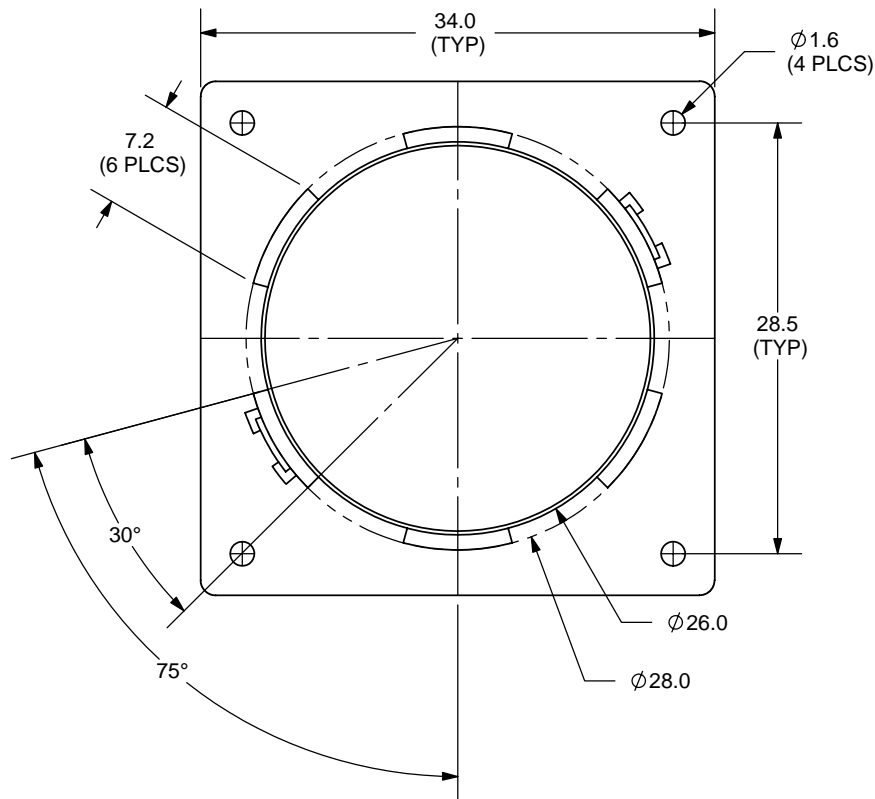
**FREQUENCY RESPONSE CURVE**

potentiometer range	50 dB
rectifier	RMS
lower limit frequency	20 Hz
wr. speed	100 mm/sec



zero level 60 dB

REV.	DESCRIPTION	DATE
A	NEW DRAWING	10/2/2006



TOLERANCE:  
±0.2mm UNLESS OTHERWISE  
SPECIFIED



20050 SW 112th Ave.  
Tualatin, OR 97062  
Phone: 503-643-4899  
800-275-4899  
Fax: 503-372-1266  
Website: www.cui.com

TITLE: MINIATURE MONITOR SPEAKER		REV: A
PART NO. CMS0341KLX		UNITS: MM [INCHES]
DRAWN BY: ZRJ	APPROVED BY:	SCALE: 2:1

PC FILE NAME:  
CMS0341KLX

COPYRIGHT 2006 BY CUI INC.